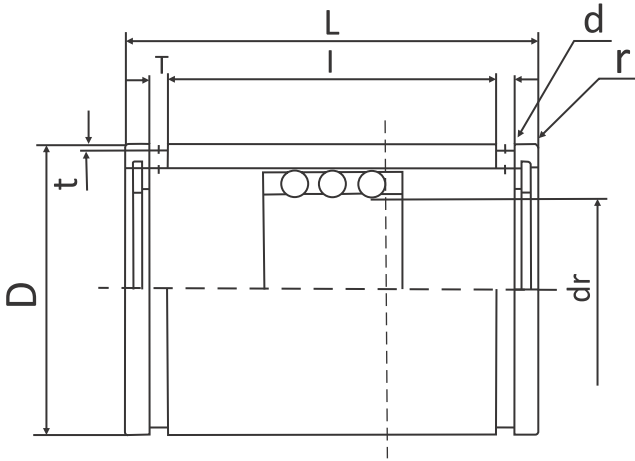


ST



کد کاس	Max Stroke mm	Number Of Rows	dr mm	D mm	L mm	l mm	T mm	t mm	d mm	r mm	تحميل بار		وزن gf	قیمت	
											Dynamic N	Static N		دلار	تومان
ST 6	20	3	6	12	20	11.3	1.1	0.5	1	0.5	216	147	8.9		
ST 8	24	3	8	15	24	17.1	1.5	0.5	1.2	22	343	245	15.6		
ST 10	30	3	10	19	30	22.7	1.5	0.5	0.2	0.5	637	461	28.8		
ST 12	32	3	12	23	32	24.5	1.5	0.5	1.2	0.5	1,070	913	42		
ST 16	40	3	16	28	37	29.1	1.5	0.7	1.3	0.5	1,180	990	71		
ST 20	50	3	20	32	45	35.8	2	0.7	1.5	0.5	1,260	1,170	99		
ST 25	50	3	25	37	45	35.8	2	0.7	1.6	1	1,330	1,330	117		
ST 30	82	3	30	45	65	53.5	2.5	1	2	1	2,990	3,140	205		
ST 35	92	3	35	52	70	58.5	2.5	1	2	1.5	3,140	3,530	329		
ST 40	108	3	40	60	80	68.3	2.5	1	2	1.5	4,120	4,800	516		
ST 50	138	3	50	72	100	86.4	3	1	2.5	1.5	5,540	6,910	827		
ST 60	138	3	60	85	100	86.4	3	1	2.5	2	5,980	8,230	1,240		
ST 80	132	3	80	110	100	86	3	1.5	2.5	2	7,840	12,200	2,050		
ST 100	132	3	100	130	100	86	3	1.5	2.5	2	8,430	14,700	2,440		